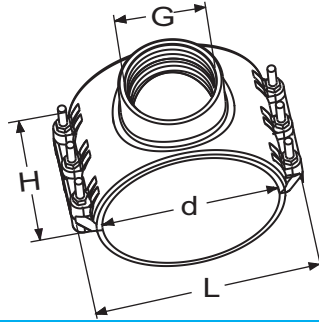


NPT

d	G	L	H	Paraf	PN/Bar	Gr	Quant	Nº Código
75	" 1/2	120	95	4 (M8x60)	10	355	C 30	02 15 2704 019
75	" 3/4	120	95	4 (M8x60)	10	358	C 30	02 15 2704 020
75	1 "	120	95	4 (M8x60)	10	368	C 30	02 15 2704 021
75	1" 1/2	120	95	4 (M8x60)	10	381	C 30	02 15 2704 023
90	" 1/2	132	115	6 (M8x60)	10	498	C 20	02 15 2704 024
90	" 3/4	132	115	6 (M8x60)	10	502	C 20	02 15 2704 025
90	1 "	132	115	6 (M8x60)	10	514	C 20	02 15 2704 026
90	1" 1/4	132	115	6 (M8x60)	10	523	C 20	02 15 2704 027
90	1" 1/2	132	115	6 (M8x60)	10	530	C 20	02 15 2704 028
110	" 1/2	153	129	6 (M8x60)	10	622	C 12	02 15 2704 029
110	" 3/4	153	129	6 (M8x60)	10	628	C 12	02 15 2704 030
110	1 "	153	129	6 (M8x60)	10	628	C 12	02 15 2704 031
110	1" 1/4	153	129	6 (M8x60)	10	628	C 12	02 15 2704 032
110	1" 1/2	153	129	6 (M8x60)	10	648	C 12	02 15 2704 033
110	2 "	153	129	6 (M8x60)	10	648	C 12	02 15 2704 034
125	1"	176	130	6 (M8x60)	10	675	C 12	02 15 2704 036
125	1"1/4	176	130	6 (M8x60)	10	680	C 12	02 15 2704 037
125	1"1/2	176	130	6 (M8x60)	10	689	C 12	02 15 2704 038
125	2 "	176	130	6 (M8x60)	10	685	C 12	02 15 2704 039

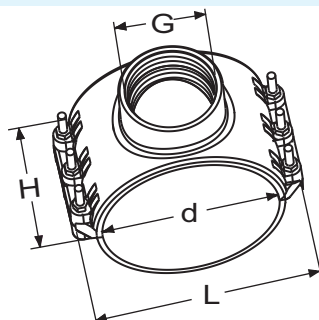
NEW



NPT

d	G	L	H	Paraf	PN/Bar	Gr	Quant	Nº Código
140	1 "	192	135	6 (M8x60)	10	800	C 10	02 15 2704 041
140	1" 1/4	192	135	6 (M8x60)	10	803	C 10	02 15 2704 042
140	1" 1/2	192	135	6 (M8x60)	10	803	C 10	02 15 2704 043
140	2 "	192	135	6 (M8x60)	10	825	C 10	02 15 2704 044
140	2" 1/2	192	135	6 (M8x60)	6	830	C 8	02 15 2704 045
140	3 "	192	135	6 (M8x60)	6	837	C 8	02 15 2704 046
160	1 "	212	135	6 (M8x60)	10	874	C 8	02 15 2704 048
160	1" 1/4	212	135	6 (M8x60)	10	878	C 8	02 15 2704 049
160	1" 1/2	212	135	6 (M8x60)	10	881	C 8	02 15 2704 050
160	2 "	212	135	6 (M8x60)	10	891	C 8	02 15 2704 051
160	3 "	212	135	6 (M8x60)	6	925	C 8	02 15 2704 053
200	1 "	252	140	6 (M8x60)	10	1010	C 6	02 15 2704 055
200	1" 1/2	252	140	6 (M8x60)	10	1046	C 6	02 15 2704 057
200	2 "	252	140	6 (M8x60)	10	1063	C 6	02 15 2704 058
200	3 "	252	140	6 (M8x60)	6	1110	C 4	02 15 2704 060
225	1" 1/4	294	170	6 (M10x80)	6	1760	C 3	02 15 2704 062
225	1" 1/2	294	170	6 (M10x80)	6	1760	C 3	02 15 2704 063
225	2 "	294	170	6 (M10x80)	6	1780	C 3	02 15 2704 064
225	2" 1/2	294	170	6 (M10x80)	4	1790	C 3	02 15 2704 065
225	3 "	294	170	6 (M10x80)	4	1750	C 3	02 15 2704 066
225	4 "	294	170	6 (M10x80)	4	1830	C 3	02 15 2704 067

NEW



NPT

d	G	L	H	Paraf	PN/Bar	Gr	Quant	Nº Código
250	1" 1/4	320	180	6 (M10x80)	6	2090	C 2	02 15 2704 070
250	1" 1/2	320	180	6 (M10x80)	6	2090	C 2	02 15 2704 071
250	2"	320	180	6 (M10x80)	6	2110	C 2	02 15 2704 072
250	2" 1/2	320	180	6 (M10x80)	4	2110	C 2	02 15 2704 073
250	3"	320	180	6 (M10x80)	4	2130	C 2	02 15 2704 074
250	4"	320	180	6 (M10x80)	4	2220	C 2	02 15 2704 075
315	1" 1/4	390	200	6 (M10x80)	6	2810	C 1	02 15 2704 080
315	1" 1/2	390	200	6 (M10x80)	6	2820	C 1	02 15 2704 081
315	2"	390	200	6 (M10x80)	6	2830	C 1	02 15 2704 082
315	2" 1/2	390	200	6 (M10x80)	4	2840	C 1	02 15 2704 083
315	3"	390	200	6 (M10x80)	4	2850	C 1	02 15 2704 084
315	4"	390	200	6 (M10x80)	4	2880	C 1	02 15 2704 085



Braçadeiras roscadas s/ reforço **NPT**

Clamp saddles without reinforce **NPT**

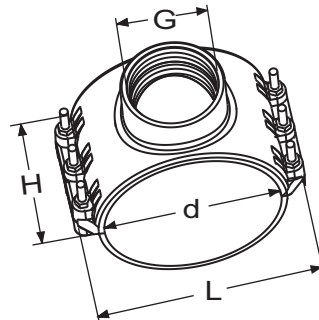
Colliers de prise en charge sans renfor **NPT**

Collarines de toma sin refuerzo **NPT**

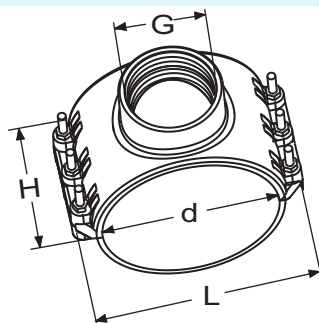
NEW



02 15 2705 000



d	G	L	H	Paraf	PN/Bar	Gr	Quant	Nº Código
25	" 1/2	61	36	2 (M6x40)	10	55	C 200	02 15 2705 003
25	" 3/4	61	36	2 (M6x40)	10	63	C 180	02 15 2705 004
32	" 1/2	76	45	2 (M8x60)	10	123	C 100	02 15 2705 005
32	" 3/4	76	45	2 (M8x60)	10	130	C 100	02 15 2705 006
32	1 "	76	45	2 (M8x60)	10	139	C 100	02 15 2705 007
40	" 1/2	76	55	2 (M8x60)	10	127	C 100	02 15 2705 008
40	" 3/4	76	55	2 (M8x60)	10	136	C 100	02 15 2705 009
40	1 "	76	55	2 (M8x60)	10	120	C 90	02 15 2705 010
50	" 1/2	83	60	2 (M8x60)	10	143	C 80	02 15 2705 011
50	" 3/4	83	60	2 (M8x60)	10	151	C 80	02 15 2705 012
50	1 "	83	60	2 (M8x60)	10	156	C 70	02 15 2705 013
63	" 1/2	102	69	4 (M8x60)	10	250	C 50	02 15 2705 014
63	" 3/4	102	69	4 (M8x60)	10	250	C 50	02 15 2705 015
63	1 "	102	69	4 (M8x60)	10	263	C 50	02 15 2705 016
63	1" 1/4	102	69	4 (M8x60)	10	267	C 50	02 15 2705 017
63	1" 1/2	102	69	4 (M8x60)	10	290	C 45	02 15 2705 018



NPT

d	G	L	H	Paraf	PN/Bar	Gr	Quant	Nº Código
75	" 1/2	120	95	4 (M8x60)	10	348	C 30	02 15 2705 019
75	" 3/4	120	95	4 (M8x60)	10	350	C 30	02 15 2705 020
75	1 "	120	95	4 (M8x60)	10	358	C 30	02 15 2705 021
75	1" 1/2	120	95	4 (M8x60)	10	371	C 30	02 15 2705 023
90	" 1/2	132	115	6 (M8x60)	10	490	C 20	02 15 2705 024
90	" 3/4	132	115	6 (M8x60)	10	495	C 20	02 15 2705 025
90	1 "	132	115	6 (M8x60)	10	504	C 20	02 15 2705 026
90	1" 1/4	132	115	6 (M8x60)	10	513	C 20	02 15 2705 027
90	1" 1/2	132	115	6 (M8x60)	10	520	C 20	02 15 2705 028
110	" 1/2	153	129	6 (M8x60)	10	612	C 12	02 15 2705 029
110	" 3/4	153	129	6 (M8x60)	10	618	C 12	02 15 2705 030
110	1 "	153	129	6 (M8x60)	10	618	C 12	02 15 2705 031
110	1" 1/4	153	129	6 (M8x60)	10	620	C 12	02 15 2705 032
110	1" 1/2	153	129	6 (M8x60)	10	638	C 12	02 15 2705 033
110	2 "	153	129	6 (M8x60)	10	638	C 12	02 15 2705 034
125	1"	176	130	6 (M8x60)	10	665	C 12	02 15 2705 036
125	1"1/4	176	130	6 (M8x60)	10	680	C 12	02 15 2705 037
125	1"1/2	176	130	6 (M8x60)	10	680	C 12	02 15 2705 038
125	2 "	176	130	6 (M8x60)	10	680	C 12	02 15 2705 039

NEW

Vedantes

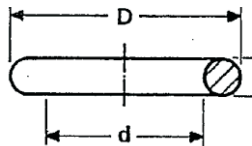
«O» ring gaskets

Joints toriques

Juntas



* 40 90 8093 000



D	d	l
20.9	13.84	3,53
25.7	18.64	3,53
35.2	28.17	3,53
41.58	34.52	3,53
47.93	40.87	3,53
60.9	53.9	3,53
70.15	63.09	3,53
72.15	65.09	3,53
78,46	71,40	3,53
116.84	130.82	6,99

Nº Código

40 90 8093 006

40 90 8093 008

40 90 8093 014

40 90 8093 017

40 90 8093 054

40 90 8093 029

40 90 8093 031

40 90 8093 032

40 90 8093 048

40 90 8093 070